

# TG SERIES >>>

## CIRCULATION PUMPS

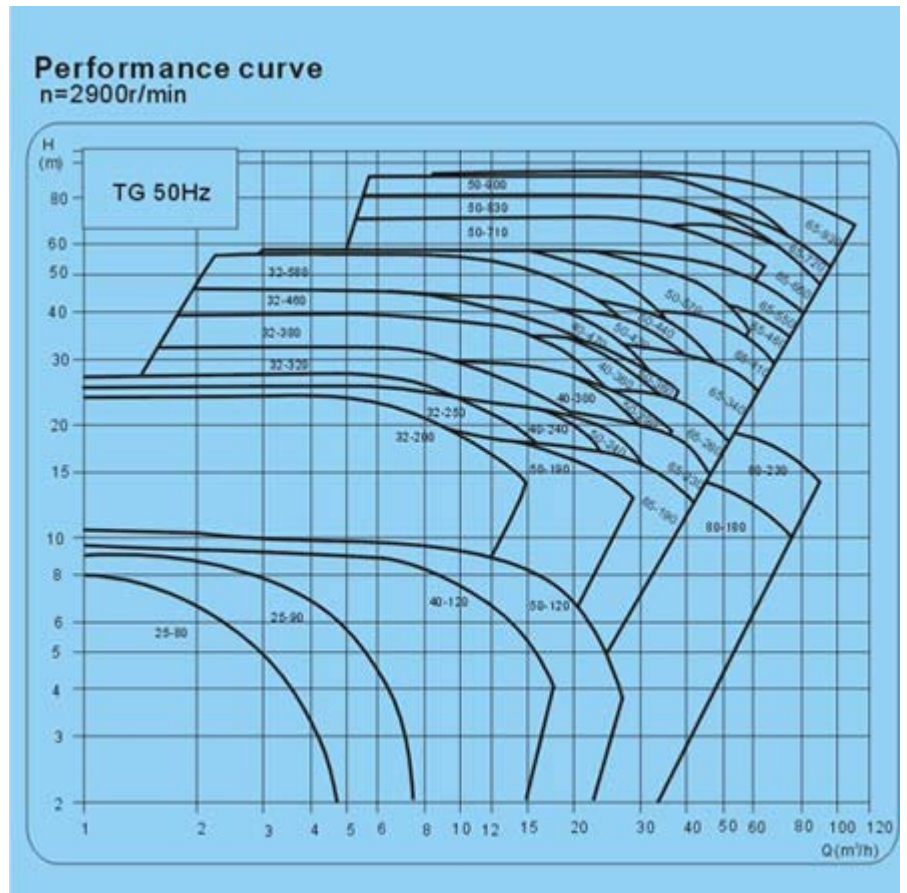


- 1.This kind of pump adopt the specialized motor which is designed specially for this pump with advanced international motor design standard, it possesses small Measurement, light weight, and will not obtain too much space, it could be mounted on any position of the pipe.
- 2.This kind of pump adopt the impeller which is designed specially and with patent Right, the pump will reduce the consumption of the power. Basing on equipped with the same output motor and same caliber of pump, this kind of pump will possesses higher head, greater flow quantity while the load current is less.
- 3.Shaft seal adopt the type which is made of imported raw material and will have longer life and is not easy to be leak.
- 4.The motor is enclosed totally, so it could be used on the place without any rain keeping off equipment. The shaft of the motor will not rust easily as it has been dealt with 45# steel.
- 5.Please don't make the pump race rotation or back turn. For first time operating, please exhaust the air from the exhaust steam nozzle, after having exhausted all the air, the pump could be

operated for a long period.

Applications:

Spray Erigation systems, hydropneumatic sets and industrial installations.

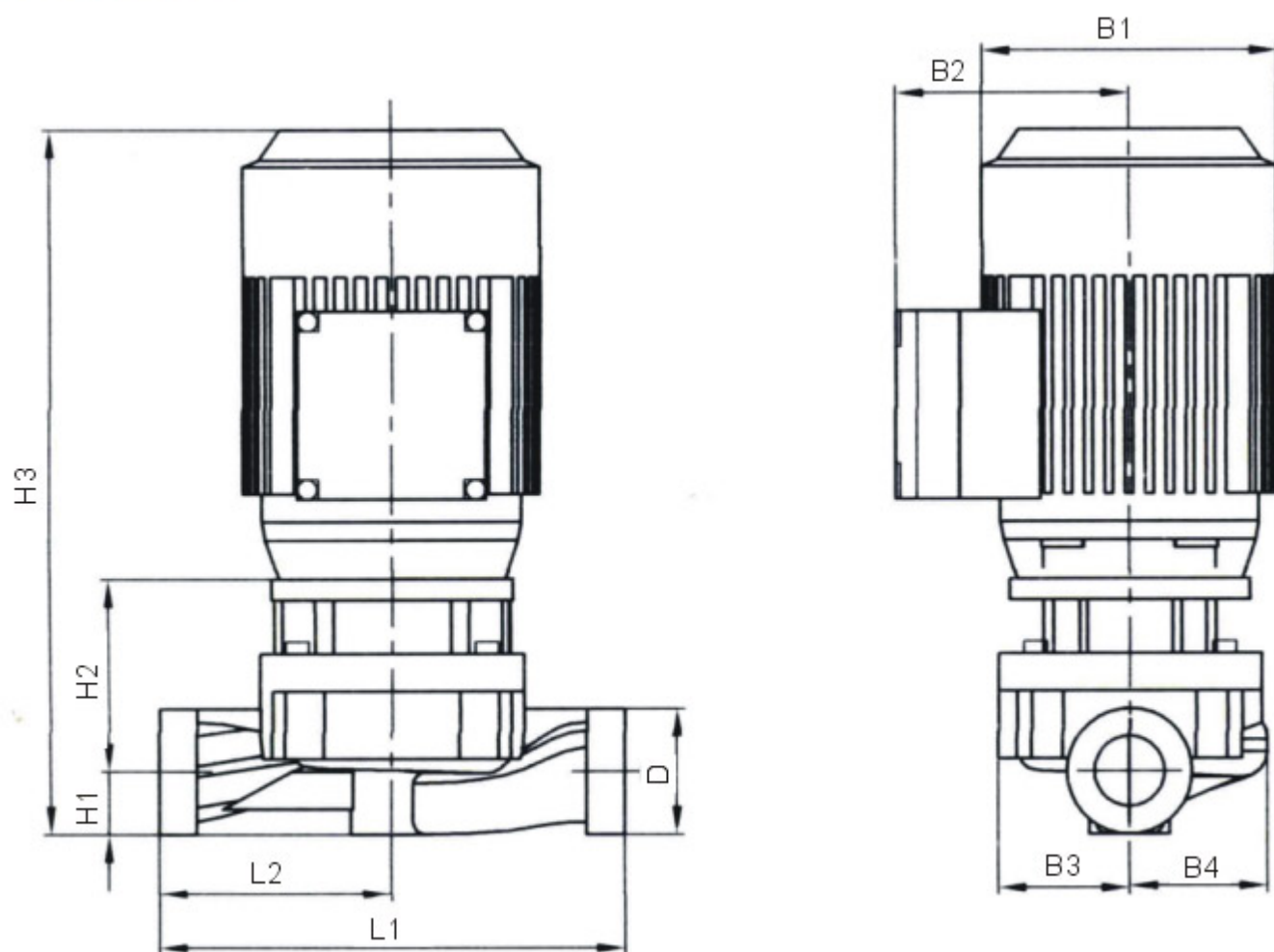


## Performance table

NO.	Model	Q(m <sup>3</sup> /h)	H(m)	n(r/min)	Voltage(V)	
					1x220V	3X380V
					P2(KW)	P2(KW)
1	TG25-80/2	2	6	2900	0.12	0.12
2	TG25-90/2	4	7		0.18	0.18
3	TG32-200/2	8	18		1.1	1.1
4	TG32-250/2	12	21		1.5	1.5
6	TG32-320/2	16	25		2.2	2.2
7	TG32-380/2	16	32			3
8	TG32-460/2	16	38			4
9	TG32-580/2	16	50			5.5
10	TG40-120/2	3.5	10		0.37	0.37
11	TG40-190/2	8	16		1.1	1.1
12	TG40-230/2	12.5	20		1.5	1.5
13	TG40-240/2	12.5	21		2.2	2.2
14	TG40-300/2	20	25			3
15	TG40-360/2	20	30			4
16	TG40-470/2	25	36			5.5
17	TG40-580/2	25	48			7.5
18	TG50-120/2	15	10		0.75	0.75
19	TG50-160/2	15	12		1.1	1.1
20	TG50-190/2	16	15		1.5	1.5
21	TG50-240/2	20	18		2.2	2.2
22	TG50-290/2	25	24			3
23	TG50-360/2	30	28			4
24	TG50-430/2	30	35			5.5
25	TG50-440/2	35	40			7.5
26	TG50-570/2	40	50			11
27	TG50-710/2	50	60			15
28	TG50-830/2	50	70			18.5
29	TG50-900/2	60	81		2.2	2.2
30	TG65-190/2	30	15			3
31	TG65-230/2	35	18			4
32	TG65-260/2	40	22			5.5
33	TG65-340/2	40	30			7.5
34	TG65-410/2	50	34			11
35	TG65-460/2	55	40			15
36	TG65-550/2	50	50			18.5
37	TG65-660/2	60	60			22
38	TG65-720/2	60	66			30
39	TG65-930/2	70	81			3
40	TG80-180/2	50	15			4
41	TG80-230/2	50	20			

# TG25-\*\*\*/2

## Technical data



## Size, weight, and volume for transportation

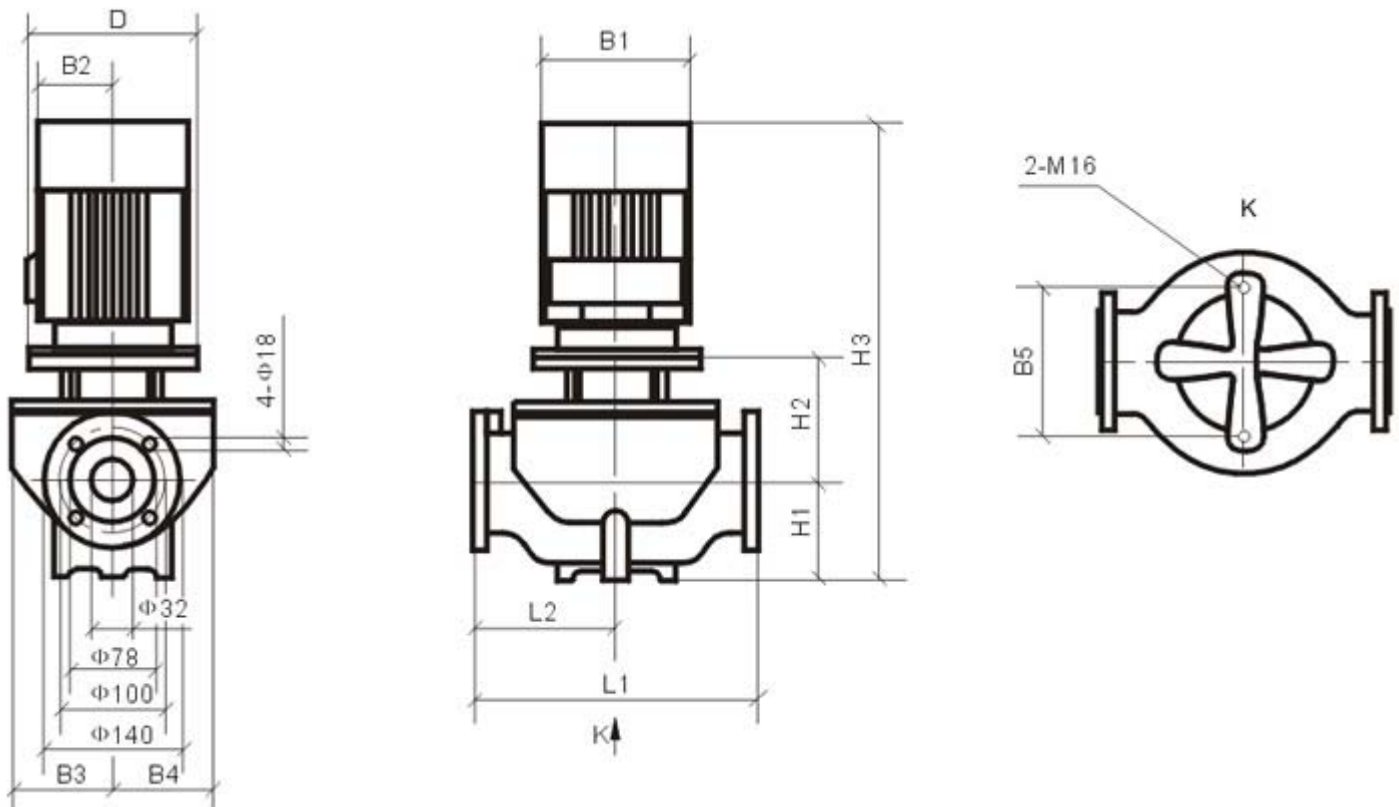
Model	PN	Size(mm)											Weight (Kg)		Volume
		D	B1	B2	B3	B4	B5	H1	H2	H3	L1	L2	N,W	G,W	(M <sup>3</sup> )
TG25-80/2	10	G1 $\frac{1}{2}$ "	130	115	62	71	-	31	40	278	190	95	6.4	6.8	0.012
TG25-90/2	10	G1 $\frac{1}{2}$ "	130	115	62	71	-	31	40	278	190	95	6.8	7.3	0.015

## Performance table

Model	Driving motor (kW)	Q(m <sup>3</sup> /h)	0.5	1.0	1.2	1.5	2.0	3.0	3.5	4.0	4.5	5.0
TG25-80/2	0.12	H (m)	7.0	6.8	6.4	6.0	5.3	4.5	4.0			
TG25-90/2	0.18				8.5	8.4	8.2	7.7	7.4	7.0	6.4	5.5

## TG32-\*\*\*/2

### Technical data



## Size, weight, and volume for transportation

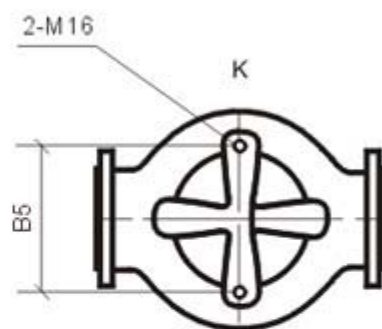
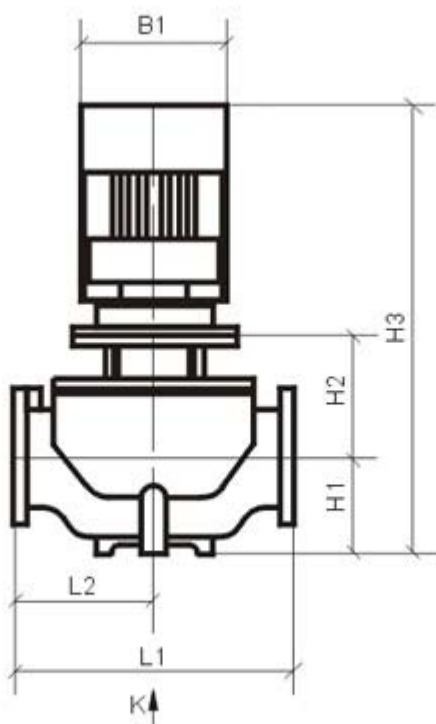
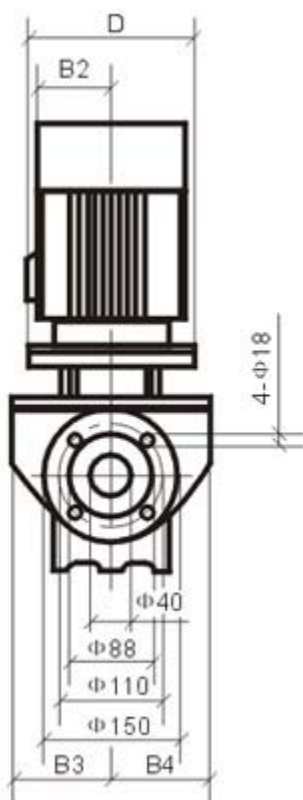
Model	PN	Size(mm)											Weight (Kg)		Volume
		D	B1	B2	B3	B4	B5	H1	H2	H3	L1	L2	N,W	G,W	(M <sup>3</sup> )
TG32-200/2	16	120	170	142	125	117	144	100	154	535	340	170	20	21	0.036
TG32-250/2	16	140	190	155	125	117	144	100	154	535	340	170	23	26	0.064
TG32-320/2	16	140	190	155	125	117	144	100	154	575	340	170	25	28	0.064
TG32-380/2	16	160	197	165	125	117	144	100	183	655	340	170	25	28	0.064
TG32-460/2	16	160	230	188	144	144	144	100	184	656	440	220	44	49	0.125
TG32-580/2	16	200	260	208	144	144	144	100	223	714	440	220	46	51	0.125

## Performance table

Model	Driving motor (kW)	Q(m <sup>3</sup> /h)	4	8	12	16	20	24
TG32-200/2	1.1	H (m)	19	17	16	15		
TG32-250/2	1.5		24	22	21	17		
TG32-320/2	2.2		31	30	28	25	21	
TG32-380/2	3.0		36	35	34	32	29	
TG32-460/2	4.0		44	42	40	38	34	30
TG32-580/2	5.5		56	55	53	50	45	40

# TG40-\*\*\*/2

## Technical data



## Size, weight, and volume for transportation

Model	PN	Size(mm)											Weight (Kg)		Volume (M <sup>3</sup> )
		D	B1	B2	B3	B4	B5	H1	H2	H3	L1	L2	N,W	G,W	
TG40-120/2	10	120	150	125	75	110	120	68	133	426	250	125	18	21	0.035
TG40-190/2	16	120	170	142	97	96	120	68	140	455	320	160	38	41	0.036
TG40-230/2	16	140	190	155	97	96	120	68	150	508	320	160	39	43	0.064
TG40-240/2	16	140	190	155	110	95	144	100	173	563	340	170	54	59	0.125
TG40-300/2	16	160	197	165	127	115	144	100	185	600	340	170	65	70	0.125
TG40-360/2	16	160	230	188	127	115	144	100	185	620	340	170	70	75	0.125
TG40-470/2	16	200	260	208	138	125	144	100	215	755	440	220	91	106	0.236
TG40-580/2	16	200	260	208	138	125	144	100	215	755	440	220	93	108	0.236

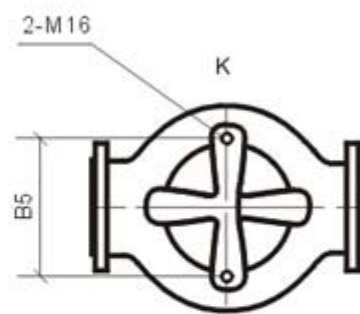
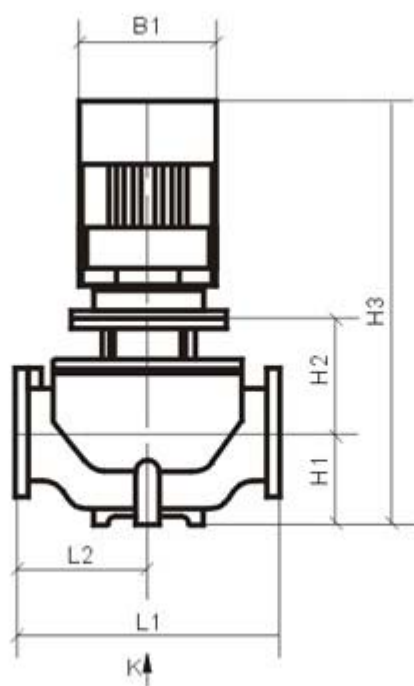
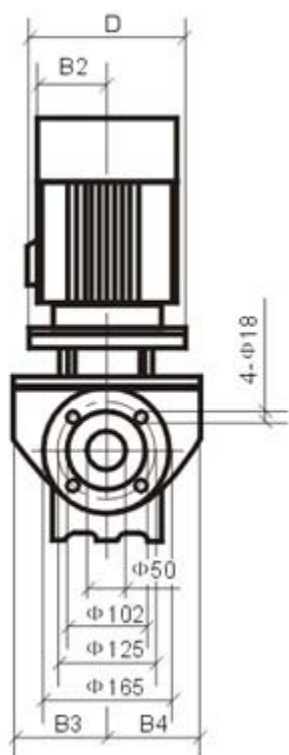
## Performance table

Model	Driving motor (kW)	Q(m <sup>3</sup> /h)	4	8	12.5	16	20	25	28	32
TG40-120/2	0.37	H (m)	11	10	7	6				
TG40-190/2	1.1		22	20	16	11				
TG40-230/2	1.5		25	23	20	15				
TG40-240/2	2.2		24	23	21	20	18	17	14	
TG40-300/2	3.0		30	29	28	27	25	24	21	18
TG40-360/2	4.0		35	34	33	32	31	30	27	21
TG40-470/2	5.5		45	42	41	40	38	36	30	26
TG40-580/2	7.5		55	54	53	52	50	48	45	39

# TG50-\*\*\*/2

## Technical data





## Size, weight, and volume for transportation

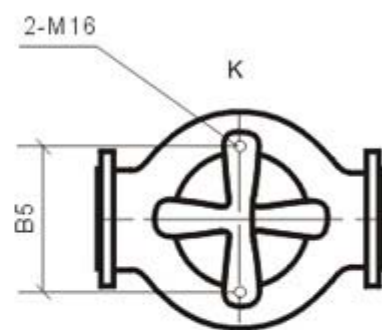
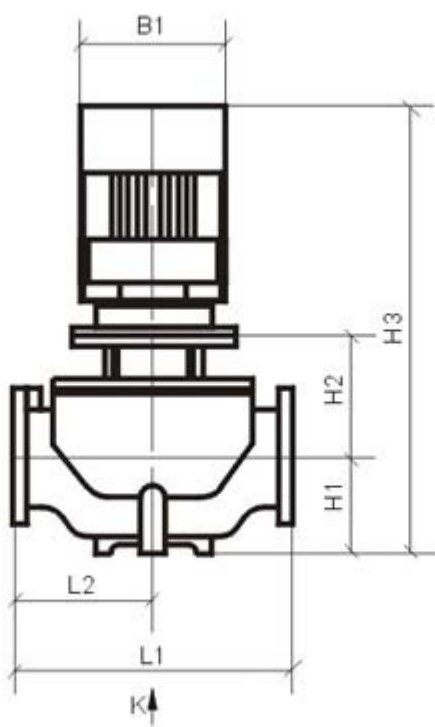
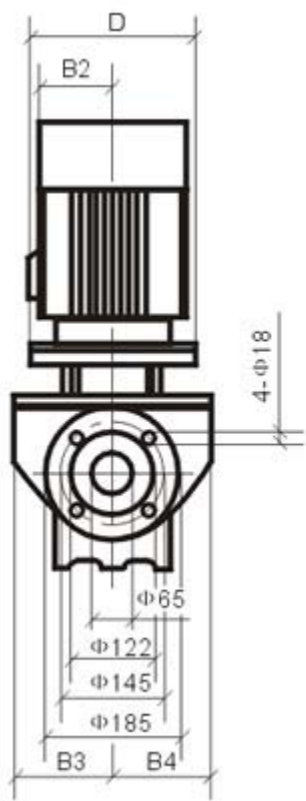
Model	PN	Size(mm)											Weight (Kg)		Volume (M <sup>3</sup> )
		D	B1	B2	B3	B4	B5	H1	H2	H3	L1	L2	N,W	G,W	
TG50-120/2	6	140	165	135	75	120	144	75	138	468	280	140	21	23	0.039
TG50-160/2	16	120	170	142	117	115	144	115	155	560	340	170	47	52	0.125
TG50-190/2	16	140	190	155	117	115	144	115	155	560	340	170	53	58	0.125
TG50-240/2	16	140	190	155	117	115	144	115	155	560	340	170	55	60	0.125
TG50-290/2	16	160	197	165	117	115	144	115	175	605	340	170	62	67	0.125
TG50-360/2	16	160	230	188	129	115	144	115	175	625	340	170	75	80	0.125
TG50-430/2	16	200	260	208	129	115	144	115	196	471	340	170	87	102	0.236
TG50-440/2	16	200	260	208	171	158	144	115	188	733	440	220	103	118	0.236
TG50-570/2	16	350	330	255	171	158	144	115	252	817	440	220	191	206	0.312
TG50-710/2	16	350	330	255	171	158	144	115	252	817	440	220	201	216	0.312
TG50-830/2	16	350	330	255	171	158	144	115	252	917	440	220	218	233	0.312
TG50-900/2	16	350	360	285	171	158	144	155	252	957	440	220	245	260	0.424

## Performance table

Model	Driving motor (kW)	Q(m <sup>3</sup> /h)	5	10	15	20	25	30	35	40	45	50	55	60	70	
TG50-120/2	0.75	H (m)	12	10.5	10	9.5	8									
TG50-160/2	1.1		15	13	12	10	8									
TG50-190/2	1.5		20	18	16	15	13									
TG50-240/2	2.2		24	23	22	20	18	15								
TG50-290/2	3.0		28	27	26	25	24	22	18							
TG50-360/2	4.0		35	33	32	31	30	28	24							
TG50-430/2	5.5		40	39	38	37	36	35	32	30	26					
TG50-440/2	7.5		43		42		41		40	37	35					
TG50-570/2	11.0		56	55		54		52		50		41	38			
TG50-710/2	15.0		70	69		68		66		64		60		58		
TG50-830/2	18.5		81	80		79		77		75		70		65	58	
TG50-900/2	22.0		90	89		88		86		83		81		75	68	

# TG65-\*\*\*/2

### Technical data



## Size, weight, and volume for transportation

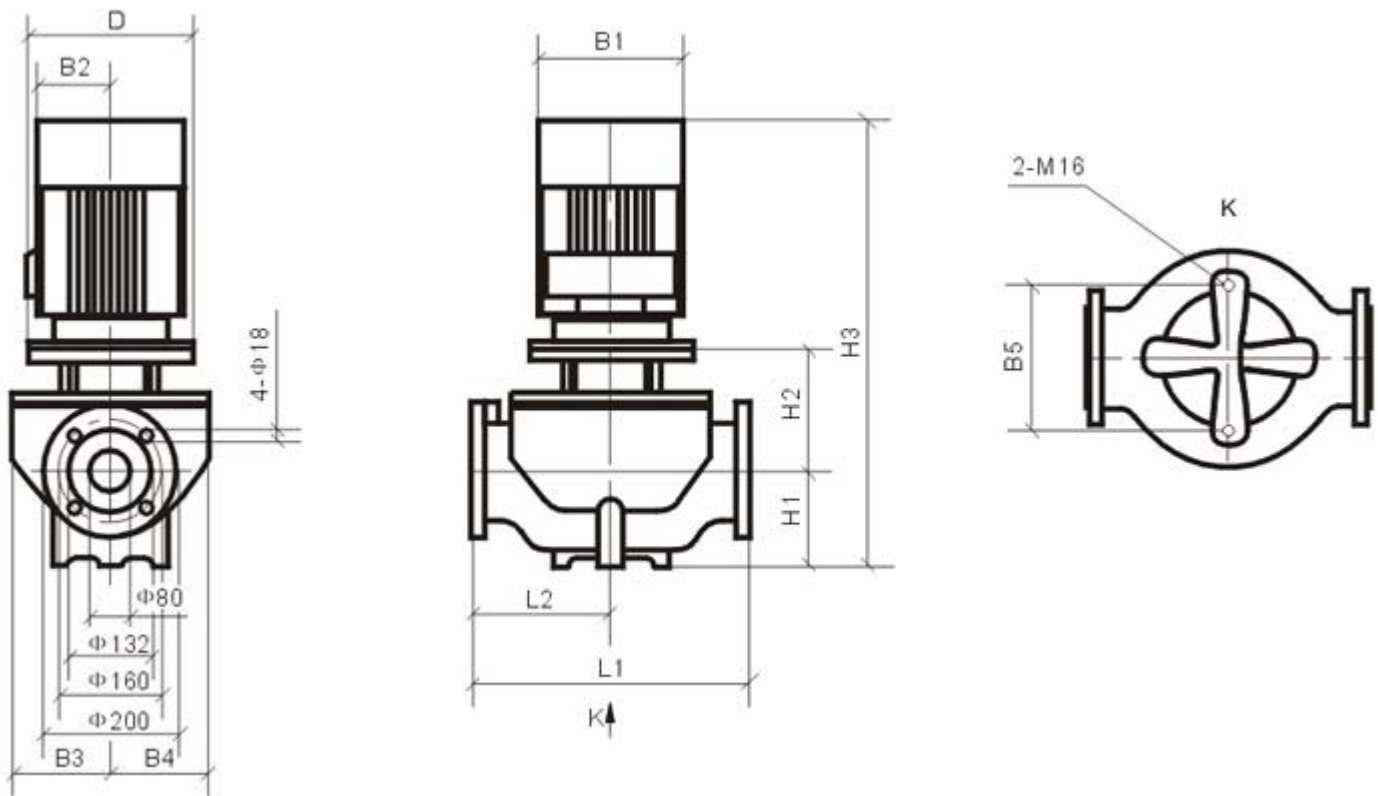
Model	PN	Size(mm)											Weight(Kg)		Volume (M <sup>3</sup> )
		D	B1	B2	B3	B4	B5	H1	H2	H3	L1	L2	N,W	G,W	
TG65-190/2	16	140	190	155	142	124	144	105	176	526	360	180	58	64	0.125
TG65-230/2	16	160	197	165	142	124	144	105	192	612	360	180	70	75	0.125
TG65-260/2	16	160	230	188	142	124	144	105	192	632	360	180	75	80	0.125
TG65-340/2	16	200	260	208	142	124	144	105	212	747	360	180	90	105	0.236
TG65-410/2	16	200	260	208	142	124	144	105	212	747	360	180	92	107	0.236
TG65-460/2	16	350	330	255	179	167	144	125	263	878	475	238	194	209	0.312
TG65-550/2	16	350	330	255	179	167	144	125	263	878	475	238	204	219	0.312
TG65-660/2	16	350	330	255	179	167	144	125	263	938	475	238	221	236	0.312
TG65-720/2	16	350	330	255	179	167	144	125	263	978	475	238	256	273	0.424
TG65-930/2	16	400	400	310	179	167	144	125	263	1048	475	238	307	324	0.424

## Performance table

Model	Driving motor (kW)	Q(m <sup>3</sup> /h)	H (m)																
			5	10	15	20	25	30	35	40	45	50	55	60	70	80	90	100	
TG65-190/2	2.2	H (m)	18.5	18	17.5	17	16	15	13	12									
TG65-230/2	3.0		22	21.5	21	20.5	20	19	18	16									
TG65-260/2	4.0		25.5	25	24.5	24	23.5	23	22.5	22	19	17							
TG65-340/2	5.5		33	32.5		32		31		30		26	25						
TG65-410/2	7.5		39	38.5		38		37		36		34		31					
TG65-460/2	11.0		44	43.5		43		42		41.5		40.5	40	38	33				
TG65-550/2	15.0		54	53.5		53		52		51		50		48	45	40			
TG65-660/2	18.5		65	64.5		64		63		62		61		60	57	52	47		
TG65-720/2	22.0		71	70.5		70		69.5		68		67		66	65	59	55	49	
TG65-930/2	30.0		90	89		88		86		85		83		82	81	80	75	70	

# TG80-\*\*\*/2

## Technical data



### Size, weight, and volume for transportation

Model	PN	Size(mm)											Weight (Kg)		Volume (M <sup>3</sup> )
		D	B1	B2	B3	B4	B5	H1	H2	H3	L1	L2	N,W	G,W	
TG80-180/2	16	160	197	165	142	124	160	105	172	578	450	225	58	64	0.125
TG80-230/2	16	160	230	190	142	124	160	105	201	630	450	225	70	75	0.125

### Performance table

Model	Driving motor (kW)	Q(m <sup>3</sup> /h)	5	10	20	30	40	50	60	70	80
TG80-180/2	3.0	H (m)	18	17.5	17	16.5	16	15	13	12	
TG80-230/2	4.0		22.5	22	21.5	21	20.5	20	18	17	16