

CHLF SERIES

HORIZONTAL MULTISTAGE CENTRIFUGAL PUMPS

Materials:

Impellers : AISI 304 stainless steel
 Motor shaft : stainless steel AISI 420.
 Pump Shaft : Stainless steel AISI 304.
 Diffusers : stainless steel AISI 304.
 Suction and discharge mouting in cast steel or cast iron

Mechanical Seal: graphite and carbon stainless steel

Motor housing : aluminum L-2521
 Windings impregnated with epoxy resin.
 Motor: Asynchronous, 2 poles.

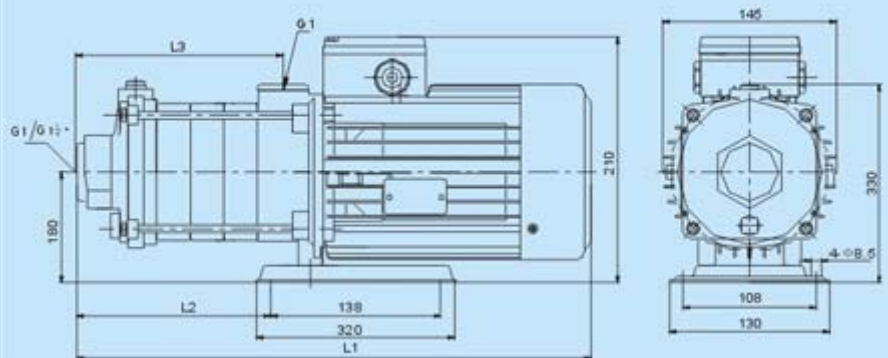
IP55 protection

Continuous operation.

Single phase version built-in thermal protection.



Installation sketch



Technical Data

Model	Installation size		
	L1(mm)	L2(mm)	L3(mm)
CHLF 2-20	349	87	102
CHLF 2-30	367	105	120
CHLF 2-40	385	123	138
CHLF 2-50	403	141	156
CHLF 2-60	421	159	174
CHLF 4-20	364	83	107
CHLF 4-30	391	110	134
CHLF 4-40	418	137	161
CHLF 4-50	445	164	188
CHLF 4-60	472	191	215

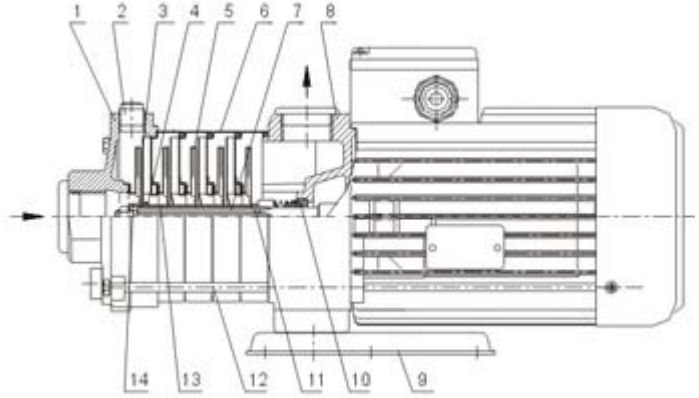
Technical Data

Model	Installation size		
	L1(mm)	L2(mm)	L3(mm)
CHLFT 2-20	349	74	102
CHLFT 2-30	367	92	120
CHLFT 2-40	385	110	138
CHLFT 2-50	403	128	156
CHLFT 2-60	421	146	174
CHLFT 4-20	364	70	107
CHLFT 4-30	391	97	134
CHLFT 4-40	418	124	161
CHLFT 4-50	445	151	188
CHLFT 4-60	472	178	215

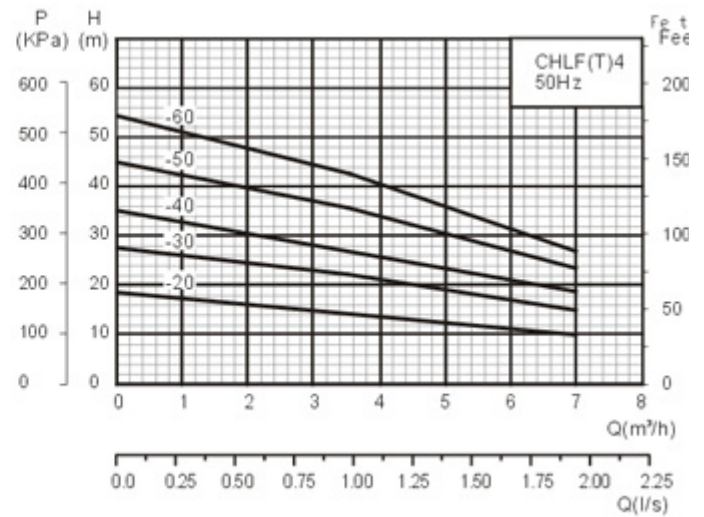
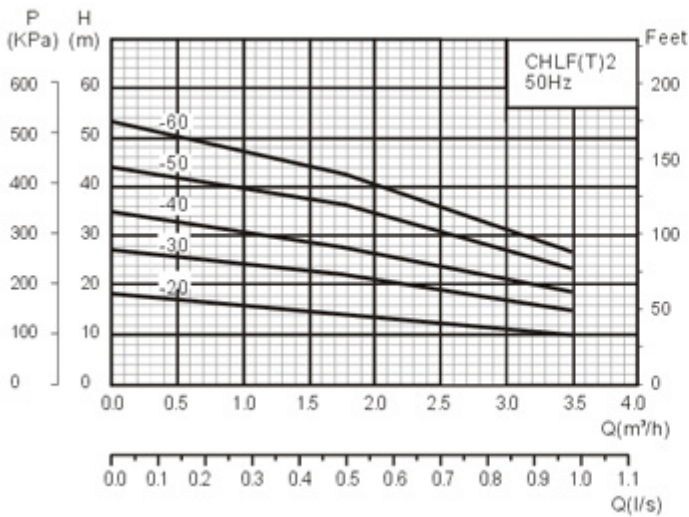
CHLF SERIES

Pump Structure Drawing

- 1.Suction casing
- 2.Plug screw
- 3.Sustentative diffusor
- 4.Ball bearing
- 5.Impeller
- 6.Diffuser
- 7.Shaft
- 8.Discharge casing
- 9.Motor foot
- 10.Mechanical seal
- 11.Back shaft cover
- 12.Bolt
- 13.Shaft cover
- 14.First shaft cover



Performance curve



Technical Data

Model	Power		Volt.	Flow	Head	Pipe dia.	Package Dimensions & GW			
	HP	kW					V	m ³ /h	m	inch
CHLF(T) 2-20	0.5	0.37	220/380	2	14	1"x1"	360	165	240	11.8
CHLF(T) 2-30	0.75	0.55		2	21	1"x1"	380			12.0
CHLF(T) 2-40	0.75	0.55		2	28	1"x1"	400			13.0
CHLF(T) 2-50	1.0	0.75		2	35	1"x1"	425			13.3
CHLF(T) 2-60	1.0	0.75		2	42	1"x1"	440			14.8

Technical Data

Model	Power		Volt.	Flow	Head	Pipe dia.	Package Dimensions & GW			
	HP	kW					V	m ³ /h	m	inch
CHLF(T) 4-20	0.75	0.55	220/380	4	14	1¼"x1"	380	165	240	11.8
CHLF(T) 4-30	0.75	0.55		4	21	1¼"x1"	400			12.6
CHLF(T) 4-40	1.0	0.75		4	28	1¼"x1"	425			14.0
CHLF(T) 4-50	1.5	1.1		4	35	1¼"x1"	450			14.8
CHLF(T) 4-60	1.5	1.1		4	42	1¼"x1"	470			15.8